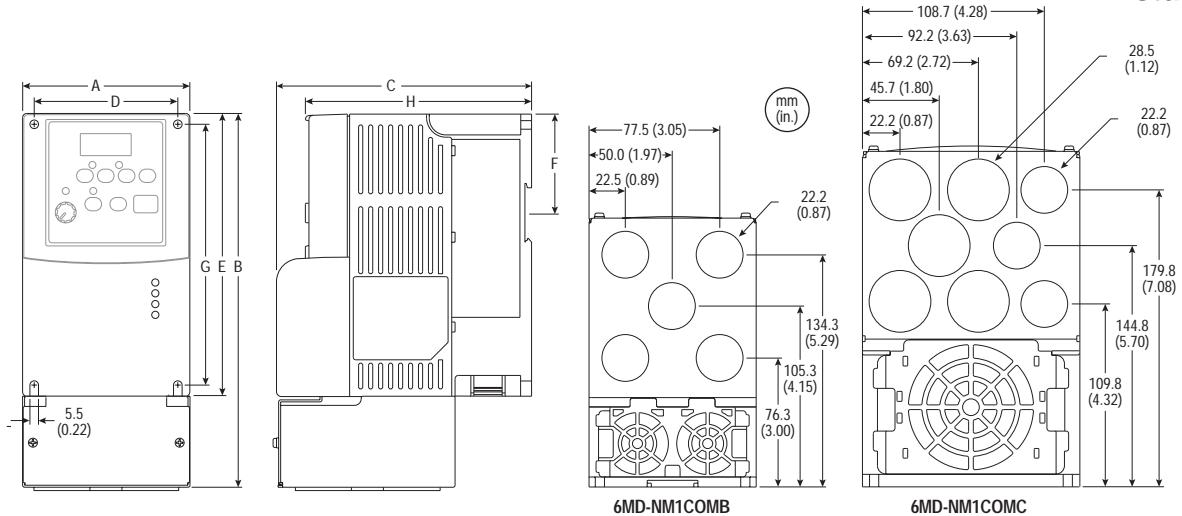


MD65 IP 30/NEMA 1/UL Type 1 Conversion Kit for Communication Option (Series B) Installation Instructions

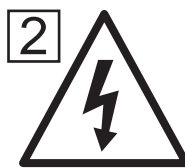
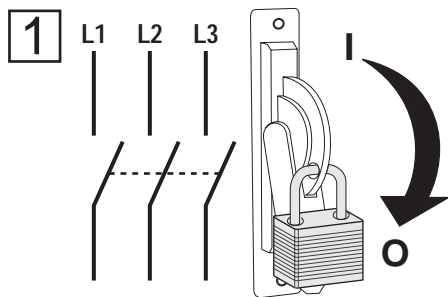
Instruction Manual D2-3527

MD65 Optionkits IP 30/NEMA 1/UL-Typ 1 (Serie B)
MD65 Kit d'option IP 30/NEMA 1/UL type 1 (Série B)
MD65 Kit opzionale IP 30/NEMA 1/Tipo UL 1 (Serie B)
MD65 Conjunto opcional IP 30/NEMA 1/UL Tipo 1 (Serie B)
MD65 Kit opcional IP 30/NEMA 1/UL Tipo 1 (Série B)

Installationsanleitung
Installation
Installazione
Instalación
Instalação



	A	B	C	D	E	F	G	H
6MD-NM1COMB (B)	100 (3.94)	244 (9.61)	161 (6.34)	87 (3.43)	180 (7.09)	87.4 (3.44)	168 (6.61)	136 (5.35)
6MD-NM1COMC (C)	130 (5.12)	320 (12.60)	205 (8.07)	116 (4.57)	260 (10.24)	-	246 (9.69)	180 (7.1)



Wait three minutes for capacitors to discharge to safe voltage levels.

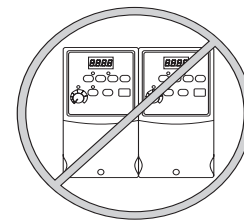
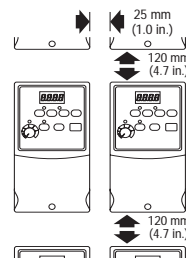
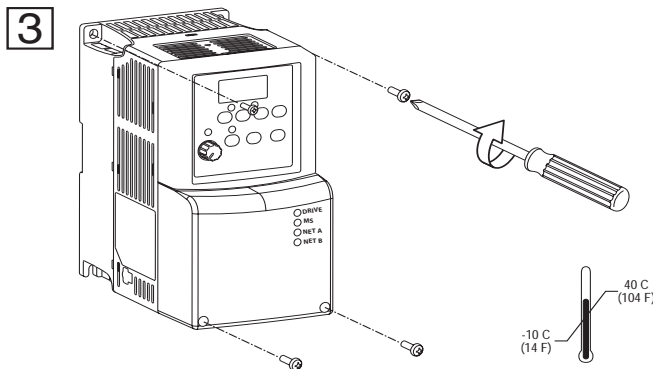
Drei Minuten warten, bis die Kondensatoren sich auf eine sichere Spannung entladen haben.

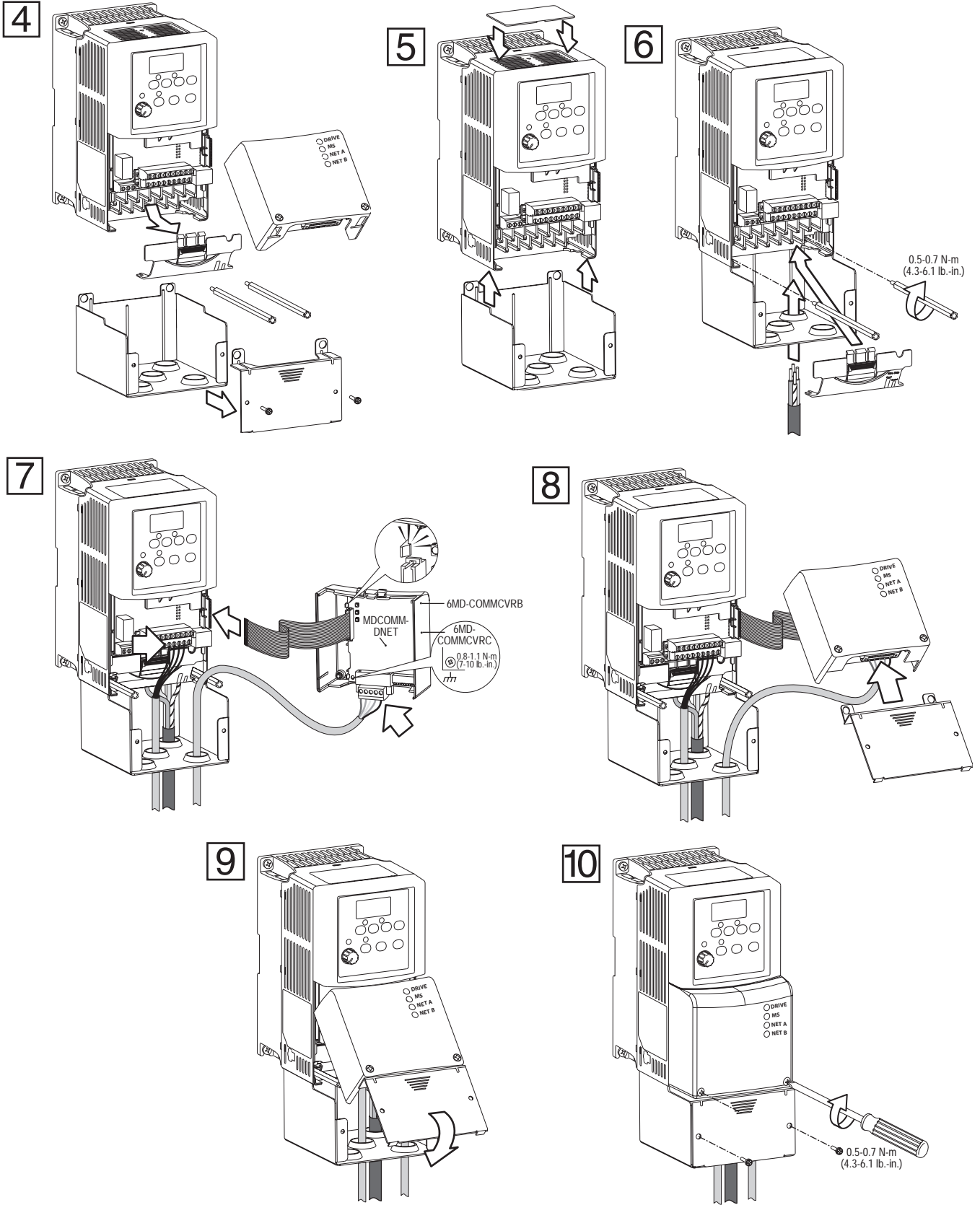
Attendre trois minutes pour s'assurer que les condensateurs se sont déchargés jusqu' à des niveaux de tension sans danger.

Attendere tre minuti affinché i condensatori si scarichino fino a raggiungere un livello di tensione sicuro.

Espera tres minutos a que los condensadores se descarguen a niveles seguros de tensión; de lo contrario puede sufrir lesiones o incluso la muerte.

Espera três minutos para que os capacitores descarreguem a níveis seguros de tensão.





www.rockwellautomation.com

Corporate Headquarters

Rockwell Automation, 777 East Wisconsin Avenue, Suite 1400, Milwaukee, WI, 53202-5302 USA, Tel: (1) 414.212.5200, Fax: (1) 414.212.5201

Headquarters for Dodge and Reliance Electric Products

Americas: Rockwell Automation, 6040 Ponders Court, Greenville, SC 29615-4617 USA, Tel: (1) 864.297.4800, Fax: (1) 864.281.2433

Europe: Rockwell Automation, Bruhlstralse 22, D-74834 Elzatl-Dallau, Germany, Tel: (49) 6261 9410, Fax: (49)6261 1774

Asia Pacific: Rockwell Automation, 55 Newton Road, #11-01/02 Revenue House, Singapore 307987, Tel: (65) 351 6723, Fax: (65) 355 1733

Publication D2-3527 - July 2003



©2003 Rockwell Automation. All rights reserved.