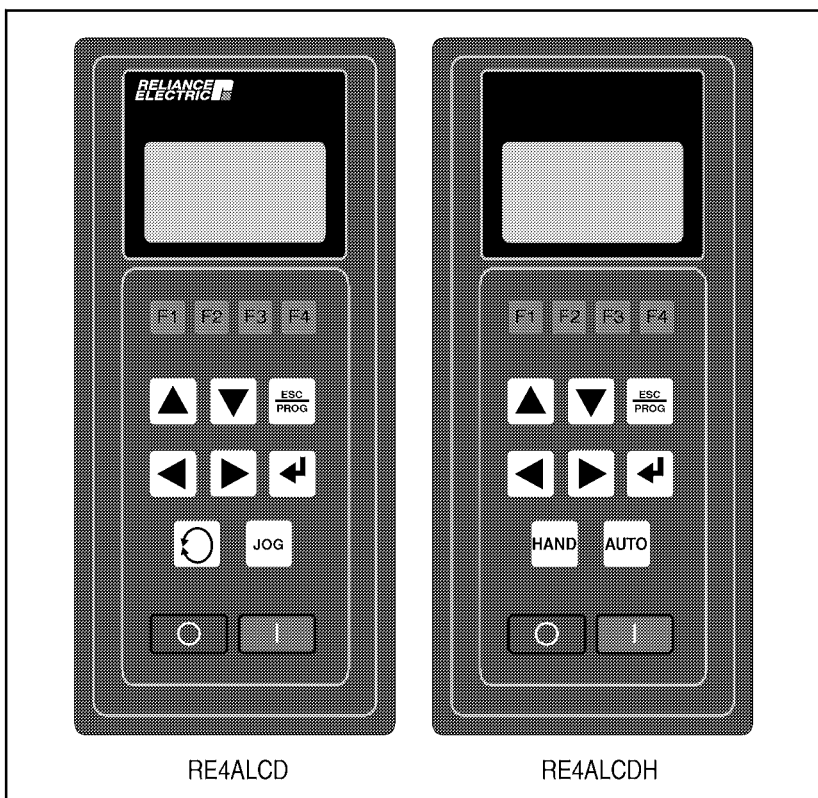


**Remote Small OIM
for VTAC 9 and SP600 AC Drives
Dezentrale Bedieneinheit (OIM)
OIM décentralisée
Tastiera per montaggio a fronte quadro
Programador remoto
OIM remota**

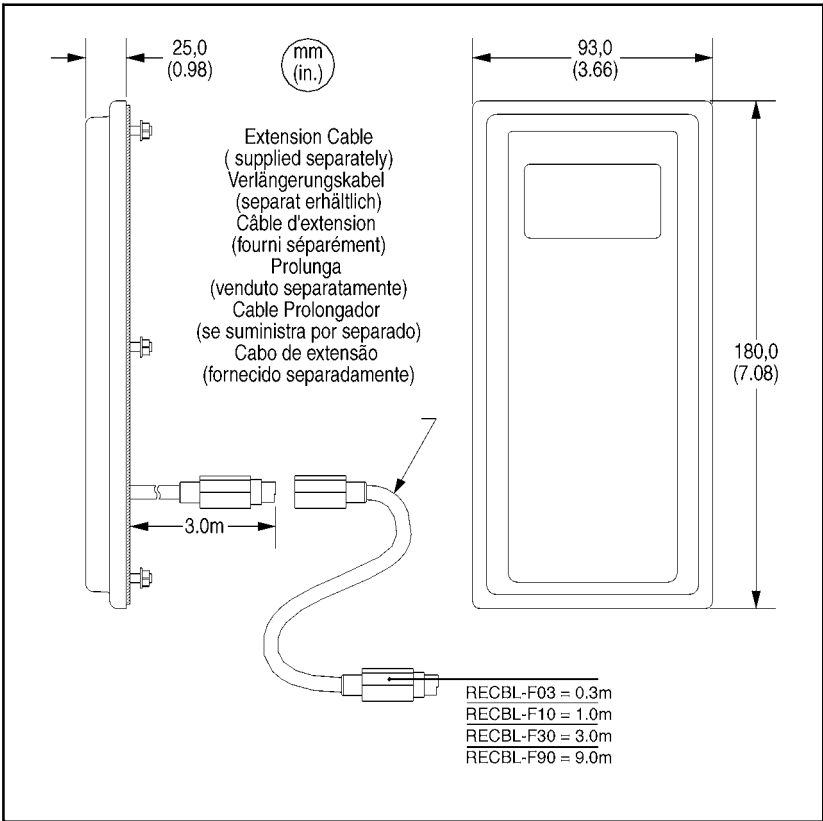
Instruction Manual D2-3525

**Installation Instructions / Installationsanleitung /
Installation / Installazione / Instalación / Instalação**



**NEMA Type 4X/12 (IP66)
Indoor / Innenraum / Usage Intérieur
Interno / Interior / Interno**

Dimensions / Abmessungen / Dimensions Dimensioni / Dimensiones / Dimensões



Note: The RE4ALCD and RE4ALCDH are respectively smaller than the RE4LCD-PNL and RE4LCDH-PNL, and cannot be used as a direct field replacement.

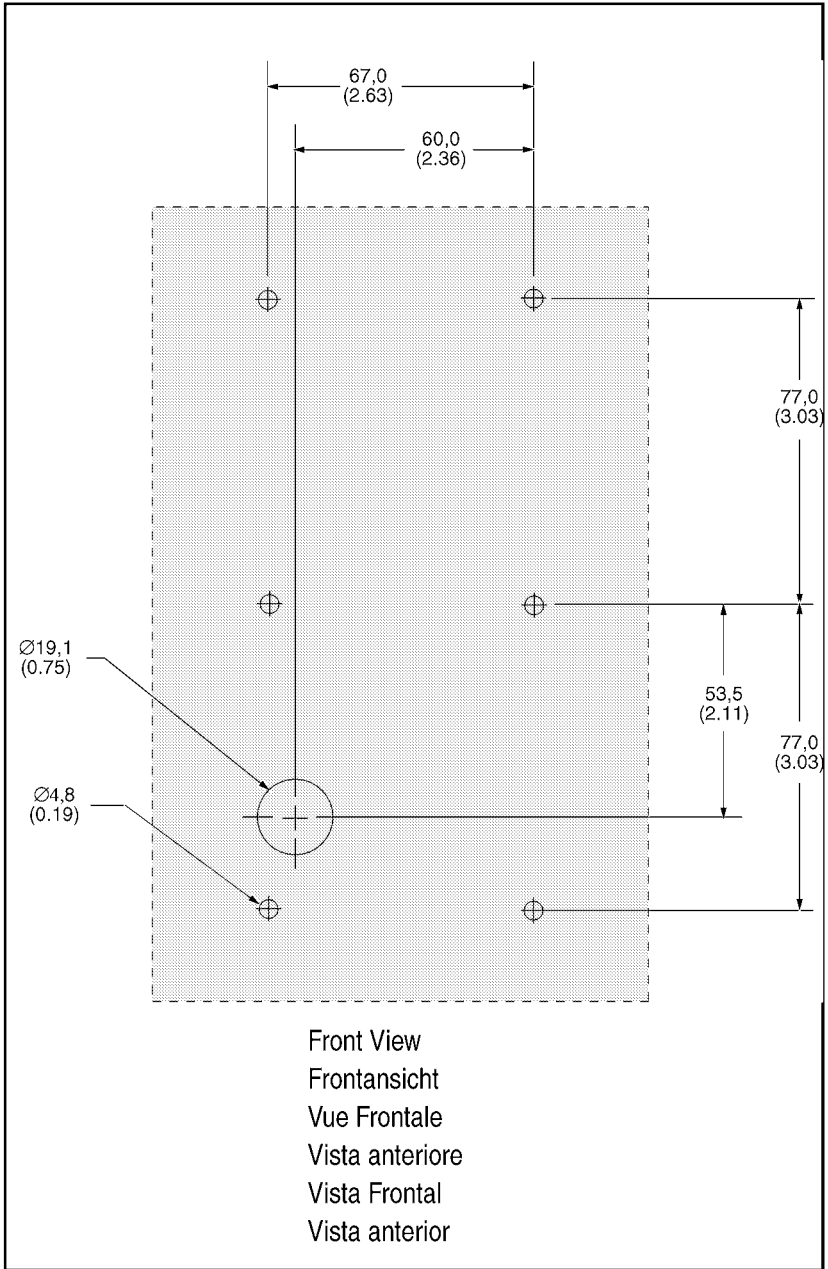
Hinweis: Die RE4ALCD und die RE4ALCDH sind jeweils kleiner als die RE4LCD-PNL und RE4LCDH-PNL und können nicht direkt vor Ort ausgewechselt werden.

Remarque : Les RE4ALCD et RE4ALCDH sont respectivement plus petites que les RE4LCD-PNL et RE4LCDH-PNL et ne peuvent pas être utilisées directement comme pièces de rechange.

Nota: I modelli RE4ALCD e RE4ALCDH sono di dimensioni inferiori ai modelli RE4LCD-PNL e RE4LCDH-PNL e non possono sostituire i dispositivi applicati direttamente su campo.

Nota: Los módulos RE4ALCD y RE4ALCDH son más compactos que los modelos RE4LCD-PNL y RE4LCDH-PNL respectivamente, y no se los puede utilizar como reemplazo directo en el campo.

Nota: A RE4ALCD e RE4ALCDH são, respectivamente, menores do que a RE4LCD-PNL e a RE4LCDH-PNL e não podem ser usadas como substitutas diretas no campo.



Mount / Montage / Montage / Montaggio / Montado / Montagem

Important: Adhesive coated gasket designed for one time installation.

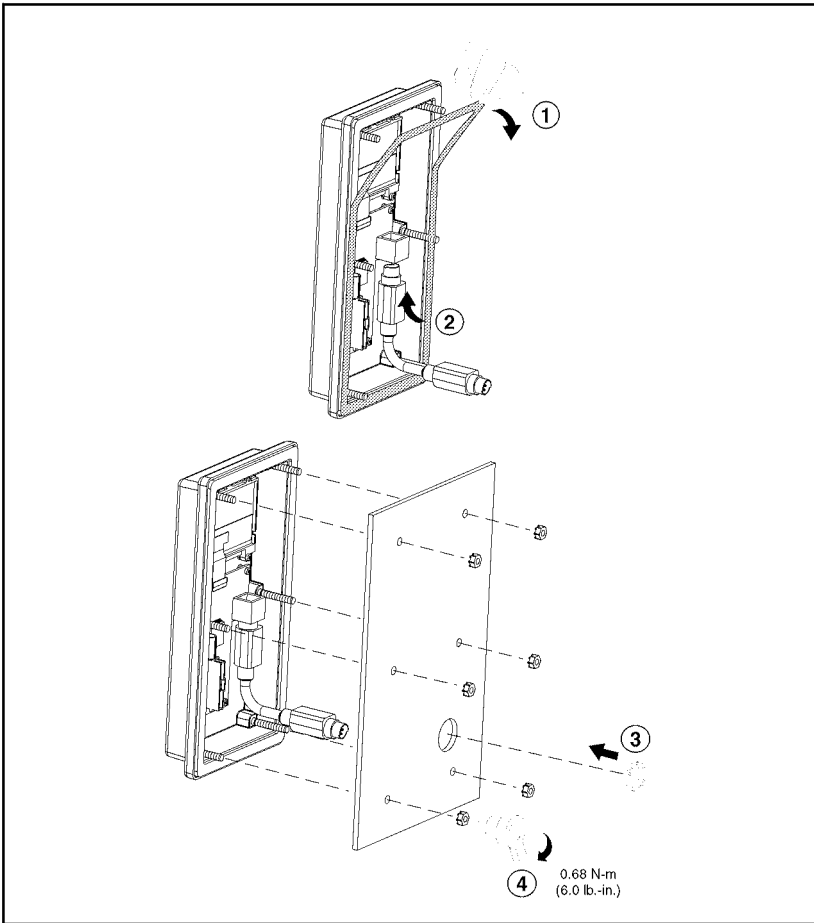
Wichtig: Dichtung ist nur für den einmaligen Einbau anwendbar.

Important: Joint adhésif à usage unique.

Importante: Guarnizione adesiva valida per una sola installazione.
Smontando e rimontando la stessa non sarà piu' garantita la protezione IP66.

ATENCIÓN: Junta con capa adhesiva diseñada para solo una fijación—no reutilizable.

Importante: Vedação adesiva foi projetada para ser instalada uma vez.



This document, as well as more information about Reliance Electric products, can be found at www.reliance.com/drives.

www.rockwellautomation.com

Corporate Headquarters

Rockwell Automation, 777 East Wisconsin Avenue, Suite 1400, Milwaukee, WI, 53202-5302 USA, Tel: (1) 414.212.5200, Fax: (1) 414.212.5201

Headquarters for Dodge and Reliance Electric Products

Americas: Rockwell Automation, 6040 Ponders Court, Greenville, SC 29615-4617 USA, Tel: (1) 864.297.4800, Fax: (1) 864.281.2433

Europe: Rockwell Automation, Brühlstraße 22, D-74834 Elztal-Dallau, Germany, Tel: (49) 6261 9410, Fax: (49) 6261 1774

Asia Pacific: Rockwell Automation, 55 Newton Road, #11-01/02 Revenue House, Singapore 307987, Tel: (65) 351 6723, Fax: (65) 355 1733

Reliance Electric Standard Drives Business, P.O. Box 248019, Mayfield Heights, OH 44124-8019 USA. Tel: (1) 888.374.8370, Fax: 440.646.7317

Publication D2-3525 May 2003
P/N 316855-P01

Copyright © 2003 Rockwell Automation. All rights reserved. Printed in USA.