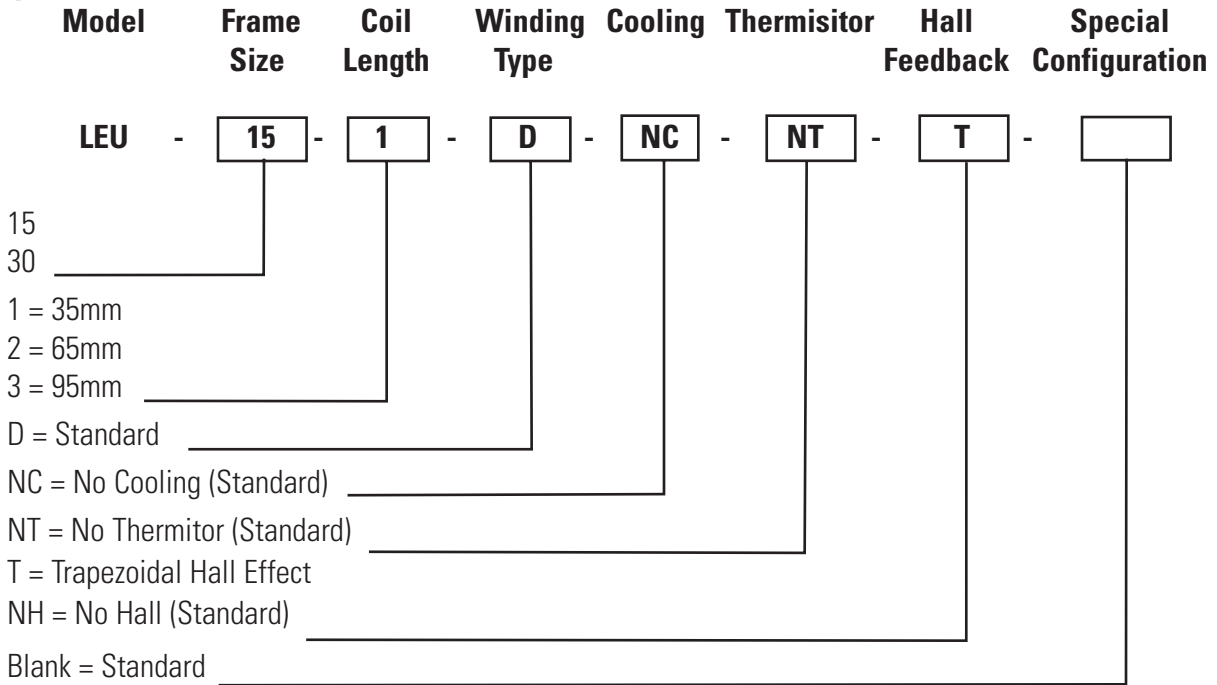
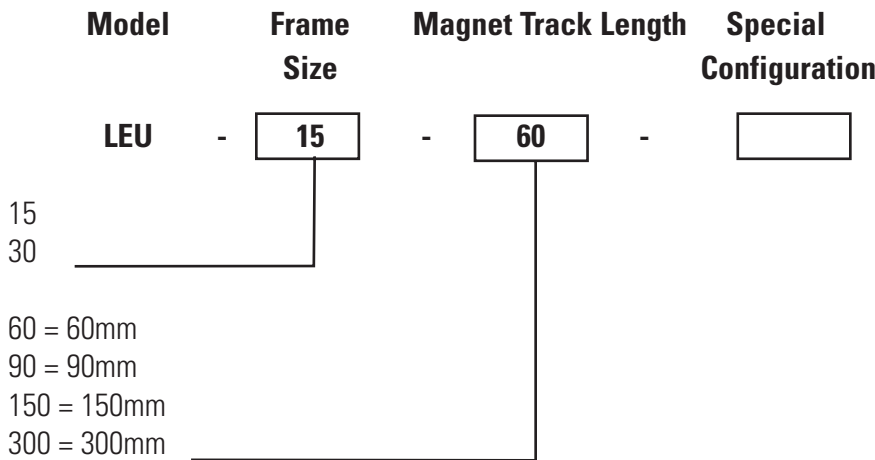


# Ordering Information

## Coil Only



## Magnet Track Only



Cable Coding	
Motor Leads (Standard)	Function
RED	ØU (A)
WHT	ØV (B)
BLK	ØW (C)
GRN/YEL	GND
Trapezoidal Hall Effect (Optional)	Function
RED	V+
WHT	S1
GRN	S2
YEL	S3
BLK	VRTN

**Note:** V+ = 5-24 Vdc  
 Motor and Hall effect cables are shielded.

If you have special requirements or need any additional information, please contact us at:

[www.anorad.com](http://www.anorad.com) [www.rockwellautomation.com](http://www.rockwellautomation.com)

### Headquarters for Anorad Products

Americas: Rockwell Automation, 100 Precision Drive, Shirley, NY 11967-4710, USA, Tel: (1) 631.344.6600, Fax: (1) 631.344.6601

Europe: Rockwell Automation, De Dintel, 8-12, 5684 PS Best, The Netherlands, Tel: (31) 499 33 8585, Fax: (31) 499 33 8580

Korea: Rockwell Samsung Automation Co. Ltd. 3F Gusang Bd., 1009 Daechi-dong, Kangnam-gu, Seoul, Korea, 135-280, Tel: +822.2.2188, Fax: +82.2.2.564.8760

### Headquarters for Allen-Bradley Products, Rockwell Software Products and Global Manufacturing Solutions

Americas: Rockwell Automation, 1201 South Second Street, Milwaukee, WI 53204-2496, USA, Tel: (1) 414.382.2000, Fax: (1) 414.382.4444

Europe/Middle East/Africa: Rockwell Automation SA/NV, Vorstlaan/Boulevard du Souverain 36, 1170 Brussels, Belgium, Tel: (32) 2 663 0600, Fax: (32) 2 663 0640

Asia Pacific: Rockwell Automation, 27/F Citicorp Centre, 18 Whitfield Road, Causeway Bay, Hong Kong, Tel: (852) 2887 4788, Fax: (852) 2508 1846

### Headquarters for Dodge and Reliance Electric Products

Americas: Rockwell Automation, 6040 Ponders Court, Greenville, SC 29615-4617, USA, Tel: (1) 864.297.4800, Fax: (1) 864.281.2433

### Corporate Headquarters

Rockwell Automation, 777 East Wisconsin Avenue, Suite 1400, Milwaukee, WI 53202-5302, USA, Tel: (1) 414.212.5200, Fax: (1) 414.212.5201

Publication Blank Stock PMC PP0001A-EN-P-08/03 June 2003

Copyright © 2003 Rockwell Automation, Inc. All rights reserved. Printed in USA.