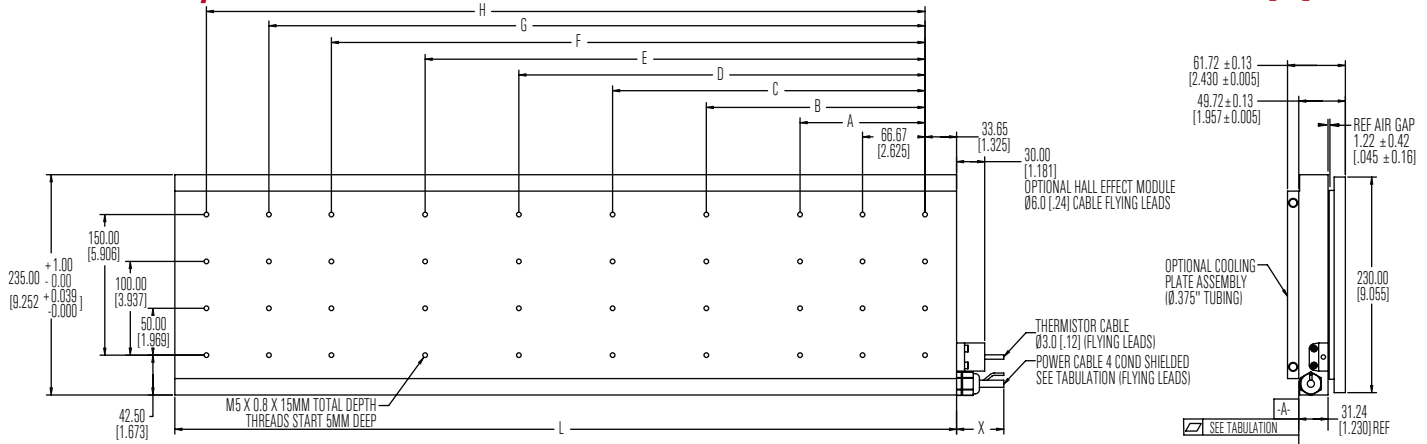
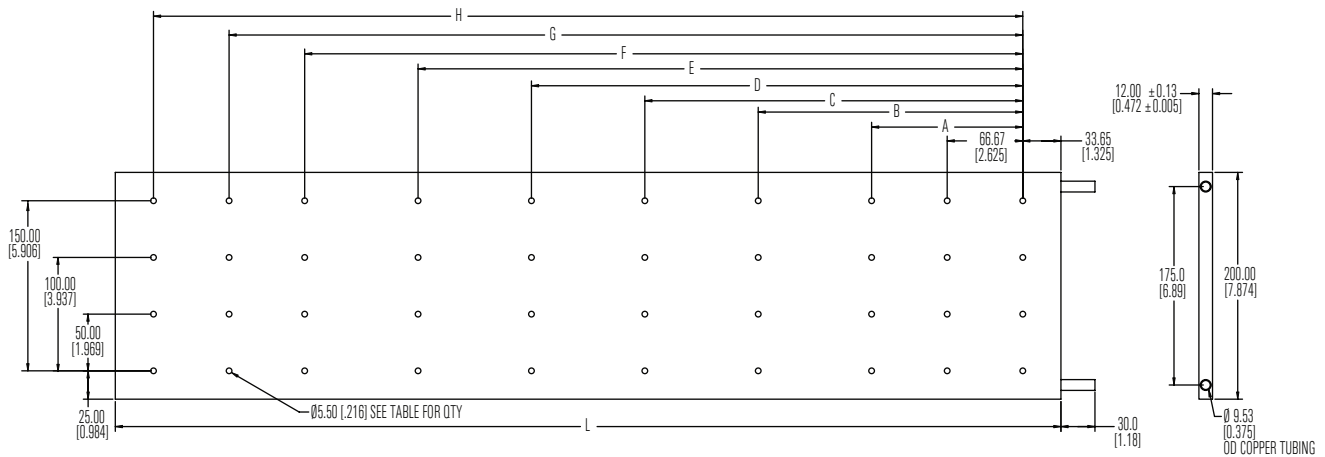


## Coil Assembly LC-200-XXX

## Dimensions mm [in]



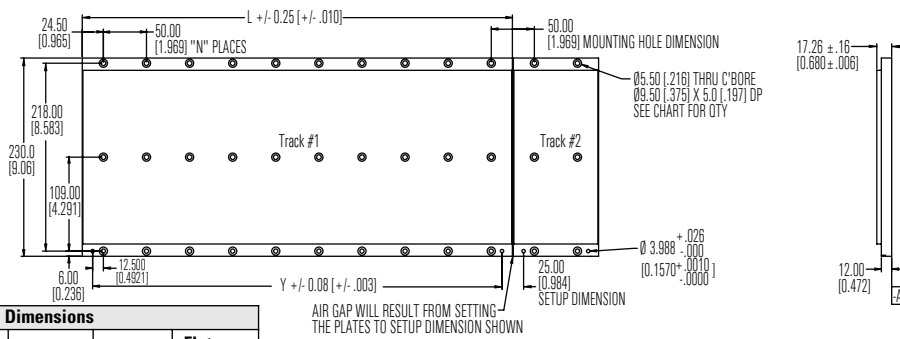
## Cooling Plate LCCP-200-XXX



Coil and Cooling Plate Dimensions												
Coil Size	L	A	B	C	D	E	F	G	H	Hole Qty (N)	Flatness -A-	Heat Sink
200 x 100	134.00 (5.28)									8	0.25 (0.010)	500 x 200 (20 x 8)
200 x 200	234.00 (9.21)	100.00 (3.937)	166.67 (6.562)							16	0.25 (0.010)	500 x 300 (20 x 12)
200 x 300	334.00 (13.15)	133.33 (5.249)	200.00 (7.874)	266.67 (10.499)						20	0.38 (0.015)	500 x 400 (20 x 16)
200 x 400	434.00 (17.09)	133.33 (5.249)	233.33 (9.186)	300.00 (11.811)	366.67 (14.436)					24	0.64 (0.025)	500 x 500 (20 x 20)
200 x 600	634.00 (24.96)	133.33 (5.249)	233.33 (9.186)	333.33 (13.123)	433.33 (17.060)	500.00 (19.686)	566.66 (22.310)			32	0.89 (0.035)	500 x 750 (20 x 30)
200 x 800	834.00 (32.84)	133.33 (5.249)	233.33 (9.186)	333.33 (13.123)	433.33 (17.060)	533.33 (20.997)	633.33 (24.934)	700.00 (27.559)	766.66 (30.184)	40	1.16 (0.045)	500 x 1000 (20 x 40)

Power Cable Gauge		
Coil Size	Winding Type	Wire Gauge
200 x 100	D	18 GA
200 x 200	D, E	18 GA
200 x 300	D, E	18 GA
200 x 400	D, E	18 GA
200 x 600	D	16 GA
200 x 600	E	18 GA
200 x 800	D	14 GA
200 x 800	E	18 GA

## Magnet Track LCM-200-XXX\*



Magnet Track Dimensions					
Magnet Track Length	L	Y	Hole Qty	N	Flatness -A-TIR
100 mm	99.00 (3.90)	75.00 (2.953)	6	1	0.25 (0.010)
250 mm	249.00 (9.80)	225.00 (8.853)	15	4	0.50 (0.020)
400 mm	399.00 (15.71)	375.00 (14.764)	24	7	0.76 (0.030)
500 mm	499.00 (19.65)	475.00 (18.750)	30	9	1.0 (0.040)

\* Magnet tracks can be combined for longer travel lengths.